

DS-2CE16D0T-IR HD1080P IR Bullet Camera



Key Features

- 2 Megapixel high-performance CMOS
- Analog HD output, up to 1080P resolution
- True Day/Night, Smart IR
- Up to 20m IR distance
- IP66 weatherproof



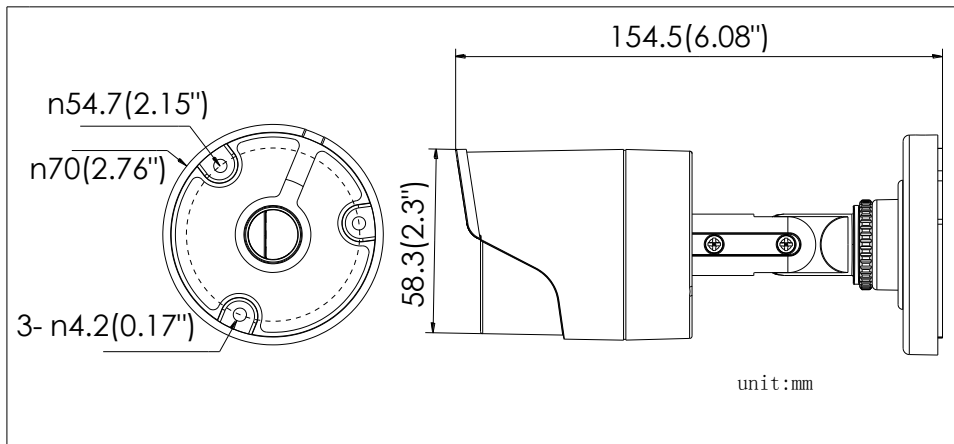
Specifications

Camera	
Image Sensor	2MP CMOS Image Sensor
Signal System	PAL/NTSC
Effective Pixels	1920(H)*1080(V)
Min. illumination	0.01 Lux @ (F1.2,AGC ON),0 Lux with IR
Shutter Time	1/25(1/30)s to 1/50,000s
Lens	2.8mm, 3.6mm, 6mm optional
	Angle of View: 103°(2.8mm), 82.2°(3.6mm), 54°(6mm)
Lens Mount	M12
Day & Night	ICR
Angle Adjustment	Pan: 0 - 360°, Tilt: 0 - 180°, Rotation: 0 - 360°
Synchronization	Internal synchronization
Video Frame Rate	1080p@25fps/1080p@30fps
HD Video Output	1 Analog HD output
S/N Ratio	>62dB
General	
Operating Conditions	-40 °C – 60 °C (-40 °F – 140 °F), Humidity 90% or less (non-condensing)
Power Supply	12 VDC ± 15%
Power Consumption	Max. 4W
Protection Level	IP66
IR Range	Up to 20m
Dimensions	Φ70×149.5mm (Φ2.76"×5.89")
Weight	400g

Order Models

DS-2CE16DOT-IR

Dimensions



Accessories



DS-1280ZJ-XS
Junction box



DS-1H18
Video Balun



X41T
Camera Tester

Distributed by



Headquarters

No.555 Qianmo Road, Binjiang District,
Hangzhou 310051, China
T +86-571-8807-5998
overseasbusiness@hikvision.com

Hikvision Poland

T +48-22-460-01-50
poland@hikvision.com

Hikvision USA

T +1-909-895-0400
sales.usa@hikvision.com

Hikvision India

T +91-22-28469900
sales@pramahikvision.com

Hikvision UK

T +44-1628-9021-4
support.uk@hikvision.com

Hikvision Europe

T +31-23-5542770
saleseuro@hikvision.com

Hikvision Italy

T +39-0438-6902
info.it@hikvision.com

Hikvision Singapore

T +65-6684-4718
sg@hikvision.com

Hikvision Middle East

T +971-4-8816086
salesme@hikvision.com

Hikvision France

T +33(0)1-85-330-444
info.fr@hikvision.com

Hikvision Oceania

T +61-2-8599-4233
salesau@hikvision.com

Hikvision Russia

T +7-495-669-67-99
saleru@hikvision.com

Hikvision Spain

T +34-91-737-16-55
info.es@hikvision.com

Hikvision Hong Kong

T +852-2151-1761