

Syntax SWM - Wall Mount Cabinets



The Syntax-SWM Wall Mount Cabinets Series - provides the ultimate reliability with its sturdy structure and its exquisite exterior design. These series of wall mount cabinets have been redesigned and refreshed to offer even better value for money and elegance to meet both customer satisfaction and industrial standards.

Standard

- Comply with ANSI/ EIA RS-310-D, DIN414197 part 1, IEC297-2, DIN41494 part 7, GB/T3047.2-92 standard.

Features

- Reliable structure with welded Frameworks
- Elegant design with Tempered Glass door
- Wide Front Door swing angle over 180 degrees
- Easy removable side panels with lock
- Hassle-free installation method (Patent)
- Additional wheels and legs for further stand-alone Integration (Optional)
- Up to IP20 protection
- Load rating at 60kg
- Comprehensive range of sizes available
- Top and Bottom modular cable entrance
- Colour- Fully powder coated (RAL7035 Light Grey/ RAL9004 Black)



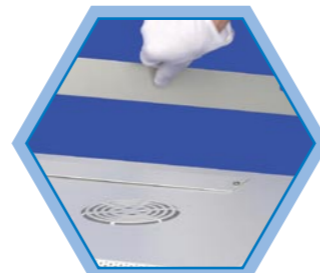
SWM Mounting Panel



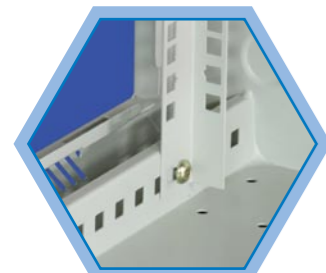
SWM Installation 1



SWM Installation 2



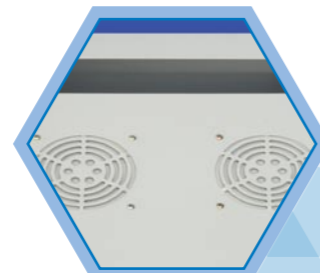
SWM Installation 3



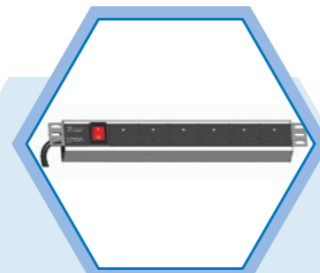
SWM Adjustable Mounting Profile (Front & Rear)



SWM removable side door



SWM Top Fan Ventilation with Cable Entrance

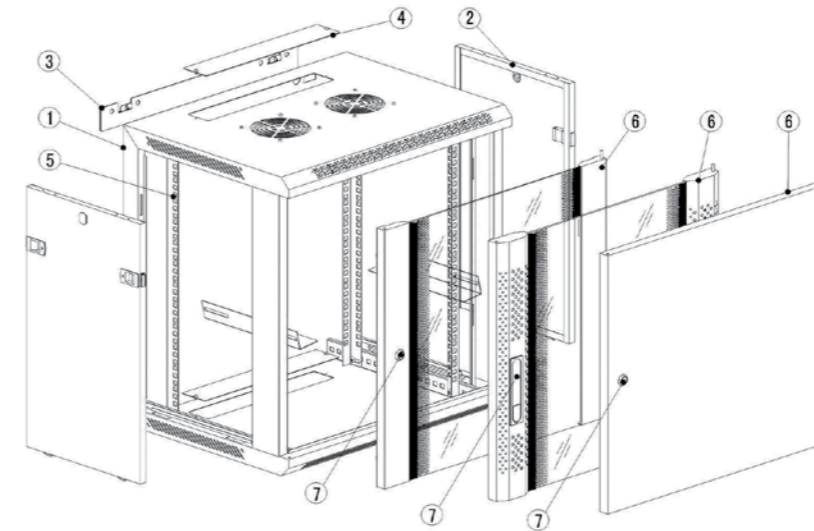


6 way Power Distribution Unit (PDU)

Syntax - SWM Wall Mount Cabinet

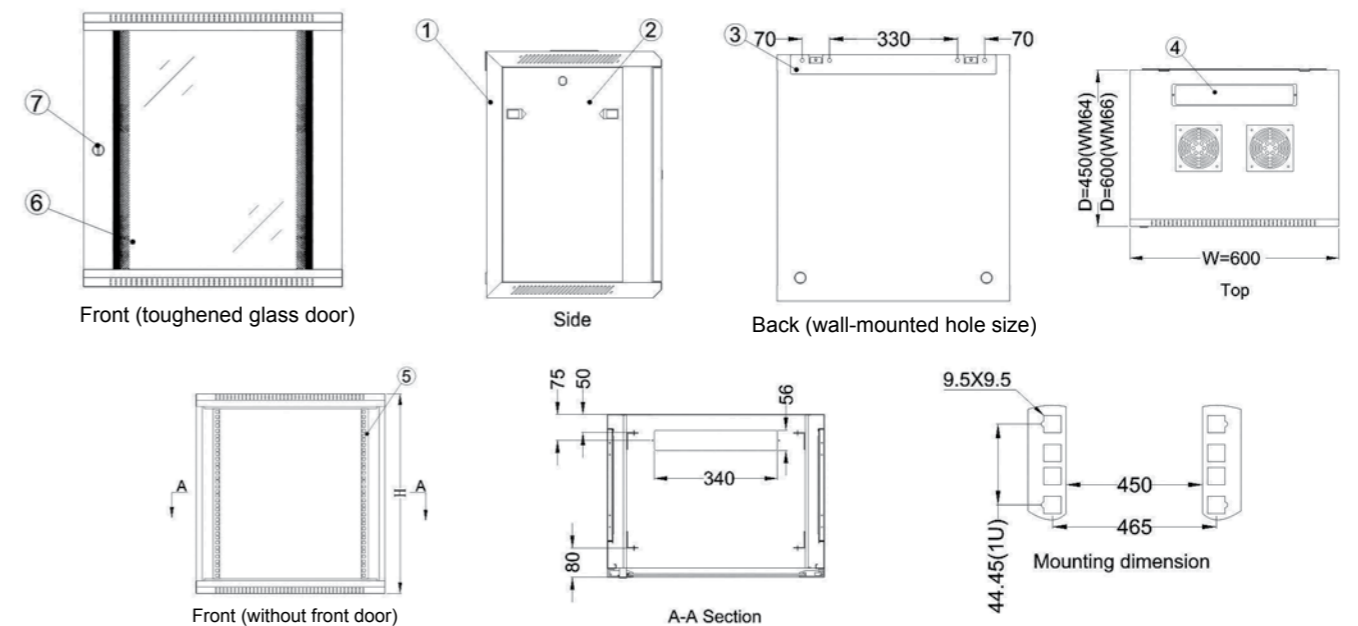
SWM Wall Mount

Main Structure



1. Frame
2. Side Panel
3. Mounting Panel
4. Cable Entry Cover
5. Mounting Profile
6. Front Door
7. Lock

Main Dimension



Ordering Information and Physical Sizing

RU	W600 x D450	W600 x D600	Height(mm)
6U	SWM6406	SWM6606	368
9U	SWM6409	SWM6609	501
12U	SWM6412	SWM6612	635
15U	SWM6415	SWM6615	769
22U	SWM6422	SWM6622	1082
27U	SWM6427	SWM6627	1304

(Please kindly check with our sales for further requirements)

Standard Scope of Supply

- Vented Top Flush With 2 x 4Inch Fan (Low Noise)
- 2 x Side Door with Cam Lock
- Front Door - Tempered Glass with Cam Lock
- 4 x Panel Mount with Unit Indication
- 1 x Mounting Panel
- 1 x Power Distribution Unit (6 Way)
- 1 Packet of M6 Cage Nuts Assembly
- Finish with Epoxy Powder Coating